

137
①

Book "G"

3390

4-679

BOOK 3390

FIELD NOTES

OF THE

SUPPLEMENTAL SURVEY OF

Meander Lines and

Township Exterior in

T. 4 S., R. 6 E.

and

Meander and Subdivision Lines in

Secs. 9 and 10,

T. 4 S., R. 6 E.

Of the Gila and Salt River Base and Meridian,

In the State of Arizona

EXECUTED BY

Guy P. Harrington U. S. Cadastral Engineer

In the capacity of U. S. Surveyor, under Special Instructions dated Sept. 20, 1919, issued by the United States Surveyor General to govern surveys included in Group No. 98, which were approved by the Commissioner of the General Land Office, 191, and Assignment Instructions dated Oct. 13, 1919.

Survey commenced December 10, 1919

Survey completed December 10, 1919

3390

3390

INDEX DIAGRAM.

Township _____, Range _____

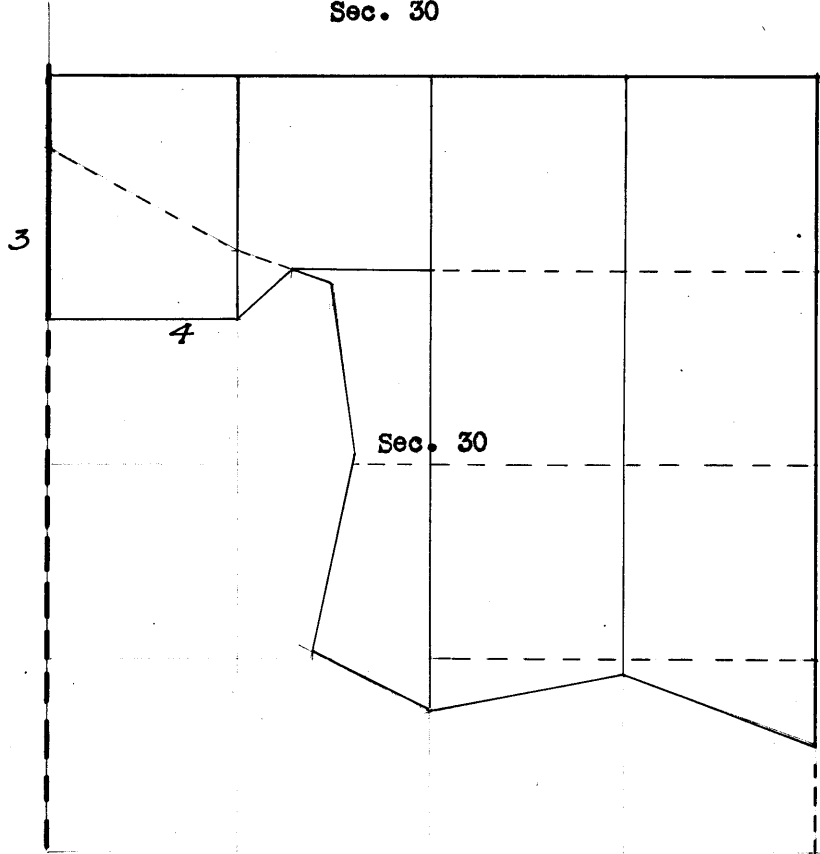
6	5	4	3	2	1
7	8	9	10	11	12
18	17	16	15	14	13
19	20	21	22	23	24
30	29	28	27	26	25
31	32	33	34	35	36

3390

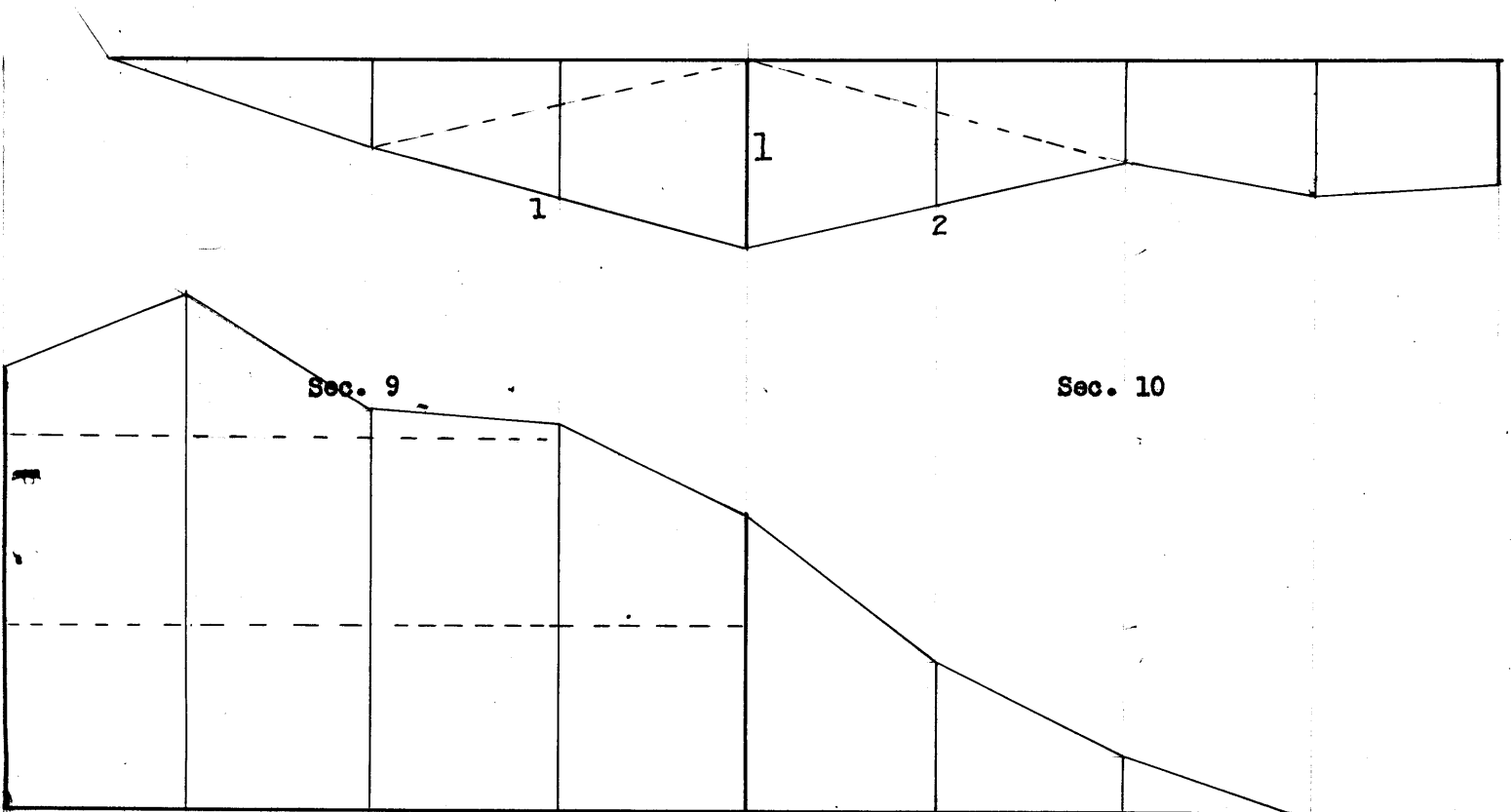
INDEX DIAGRAM

BOOK 3390

T. 4 S., R. 8 E.
Sec. 30



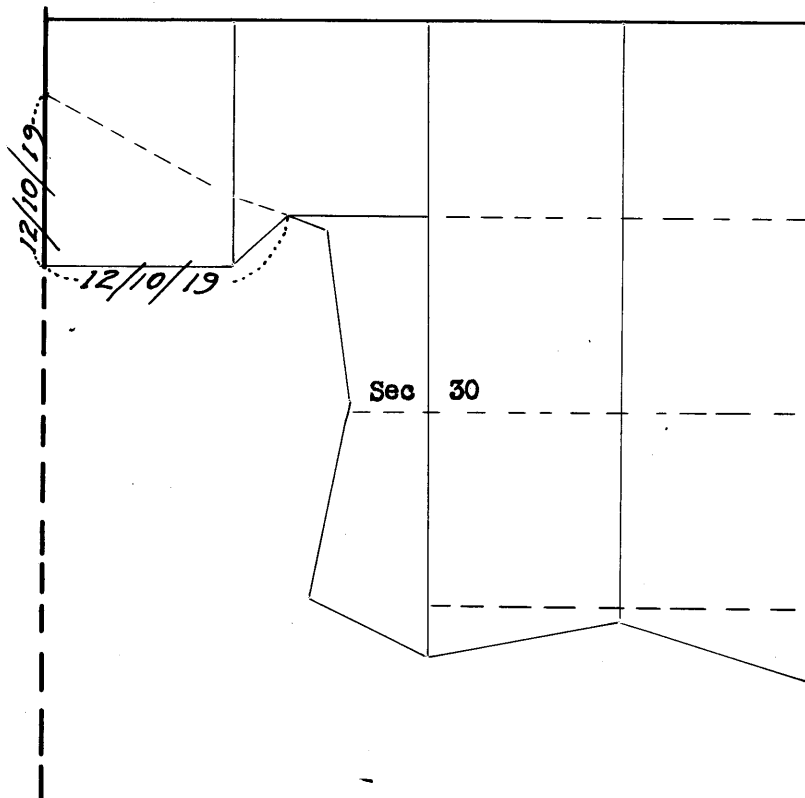
T. 4 S., R. 6 E.
Secs. 9 and 10



DATE DIAGRAM

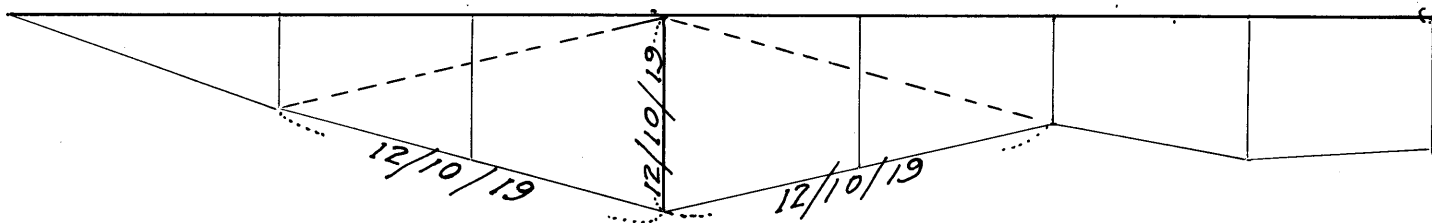
BOOK 3390

T. 4 S., R. 8 E.
Sec. 30



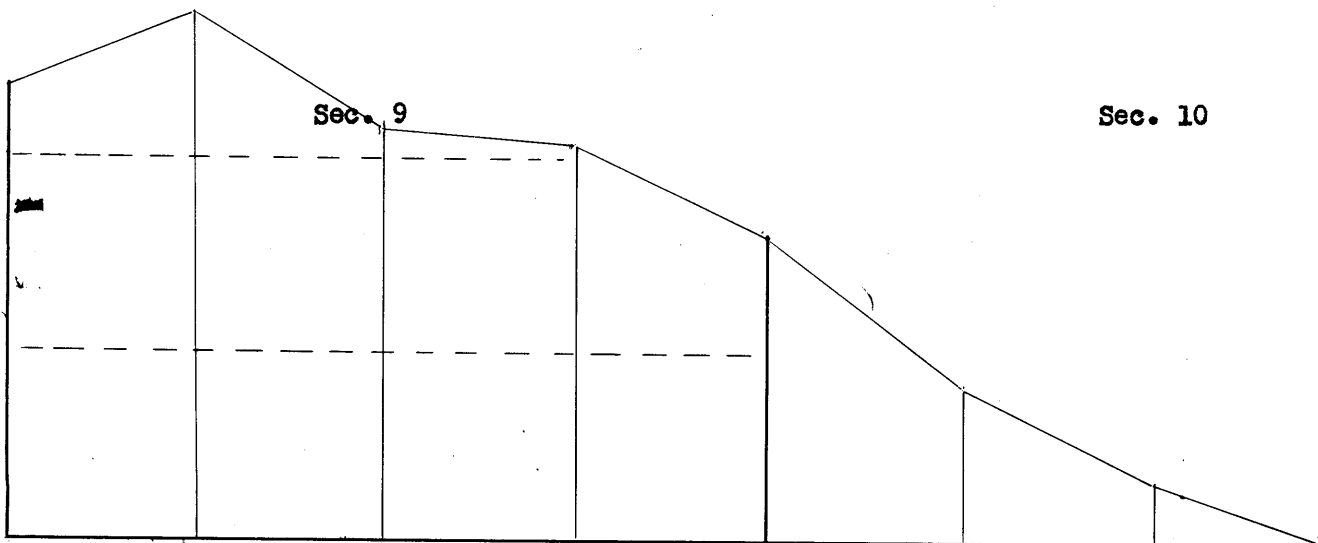
T. 4 S., R. 6 E.

Secs. 9 and 10



Sec. 9

Sec. 10



Supplemental Survey T.4 S. R.6 E.

In secs. 9 and 10 the Gila River has receded from its position in 1911 and leaves a body of bottom land subject to survey.

I begin at the cor. of secs. 3,4,9 and 10 which is also the meander cor. on the right bank of the Gila River, which is an iron post 1 in. dia. 10 ins. above ground mkd. and witnessed as described by the original notes. S.0°2'E. bet. secs. 9 and 10, over level land.

- .25 Descend bank 12 ft. high bears E. and W. Enter dense cottonwood undergrowth on the low bottom of the Gila.
- 20.00 The low flat bank of the Gila River course N.75°W. Set an iron post 3 ft. long 1 in. dia. 26 ins. in the ground for M.C. with brass cap mkd.

T4S:R6E
S9:S10
M:C
1919

A cottonwood, 3 ins. dia. bears N.32°E. 46 lks. dist. mkd. MCBT.

A cottonwood, 3 ins. dia. bears N.61°W. 37 lks. dist. mkd. MCBT.

Land level, subject to over flow.

Soil sandy loam, river silt, 1st. rate.

Undergrowth, dense young cottonwood.

Meanders in Sec.9.

Beginning at the M.C. bet. secs. 9 and 10 just established I meander the right bank of the Gila River in sec.9 over level bottom land, banks not well defined, down stream. N.74°30'W. 41.56 To the M.C. on the N. and S. Center line of sec.9 which is 8.85 chs. S.0°2'E. of the 1/4 sec. cor. bet. secs. 4 and 9.

Land level river bottom, subject to overflow.

Soil, sandy river silt, 1st. rate.

Meanders T.4 S. R.6 E.

From the M.C. bet. secs. 9 and 10, recently established by me I meander the right bank of the Gila River up stream in sec. 10 over level bottom land through dense undergrowth.

N.76°26'E. 41.15 To the M.C. on N. and S. center line 10.35 chs. S.0°2'W. of the $\frac{1}{4}$ sec. cor. bet. secs. 3 and 10.

Land low level river bottom, subject to overflow.

Soil, sandy loam, river silt, 1st. rate.

Undergrowth, dense young cottonwood.

Supplemental Survey Sec.30 T.4 S. R.8 E.

The Gila River has receded from the bank which was meandered in the survey of 1911 leaving a small bottom which is subject to survey and which is desired by the Indian Department for allotments.

I begin at the Cor. of secs. 19 and 30 on the W. bdy. of tp. which is an iron post 3 ft. long 1 ft. above ground and 1 in. dia. mkd. and witnessed as described in the original notes.

South along W. bdy. of sec. 30,
over level land.

3.82 The cor. of secs. 24 and 25 which is an iron post 1 in. dia. 12 ins. above ground mkd. and witnessed as described in the original notes.

7.55 The meander cor. bet. secs. 25 and 30, which is an iron post 1 in. dia. 10 ins. above ground mkd. and witnessed as described in the original notes.

Descend bank 12 ft. high bears E. and W. Enter dense undergrowth of cottonwood and willow.

25.00 Right bank of Gila River course NW.
Set an iron post 3 ft. long 1 in. dia. 26 ins. in the ground for auxiliary meander cor. with brass cap mkd.

T4S R8E
S30
:AMC

1919

Raise a mound of stone 3 ft. base 2 ft. high N. of cor.
Land level bottom, subject to over flow.
Soil, sandy loam, river silt, 1st. rate.

Supplementary Meanders Sec. 30, T.4 S. R.8 E.

From the meander cor. of sec.30 on the right bank of the Gila River of 1919, I meander the right bank of the Gila River up stream, through dense undergrowth, over land subject to inundation.

East 20.00 chs.

N.47°18'E. 7.40 chs. to the M.C. on 1/16 sec. line, 14.55

chs. S.89°51'W. of N 1/16 sec. cor. for sec. 30, which is an iron post 3 ft. long 1 in. dia. 10 ins. above ground mkd. and witnessed as described in the original notes.

Land level, subject to inundation.

Soil, sandy loam, river silt, 1st. rate.

Undergrowth, dense cottonwood.

148 (5)
BOOK 3390

CERTIFICATE OF UNITED STATES SURVEYOR.

I, _____, U. S. Surveyor, hereby certify upon honor that, in pursuance of special instructions received from the U. S. Surveyor General for _____ bearing date of the _____ day of _____, 191____, I have well, faithfully, and truly in my own proper person, and in strict conformity with said instructions, the Manual of Surveying Instructions, and the laws of the United States, surveyed all those parts or portions of _____

For oath of U.S.Cadastral Engineer, see Book "A"

(T. 1 N., R. 1 E.)

_____ of the _____ Meridian, in the State of _____, which are represented in the foregoing field notes as having been executed by me, and under my direction; and that all the corners of said survey have been established and perpetuated in strict accordance with the Manual of Surveying Instructions, and the special written instructions of the U. S. Surveyor General for _____ and in the specific manner described in the field notes, and that the foregoing are the original field notes of such survey.

U. S. Surveyor.

APPROVAL.

OFFICE OF THE UNITED STATES SURVEYOR GENERAL,

_____ May 19 _____, 1920

The foregoing field notes of ~~the survey of~~ **the supplemental survey of Meander Lines and township exterior in T. 4 S., R. 8 E., and Meander and Subdivision Lines in Secs. 9 and 10, T. 4 S., R 6 E.,**

executed by **Guy P Harrington U.S.Cadastral Engineer** under his special instructions dated **September 20**, 1919, having been critically examined, and the necessary corrections and explanations made, the said field notes, and the surveys they describe, are hereby approved.

U. S. Surveyor General.

I certify that the foregoing transcript of the field notes of the above-described surveys in _____ has been correctly copied from the original notes on file in this office.

U. S. Surveyor General.