

3568

Fig 6

4-679

BOOK 3568

FIELD NOTES

OF THE RETRACEMENT OF

part of the East boundary of Township 18 North, Range 1 West,

part of the South boundary of Township 18 North, Range 1 West,

part of the Subdivision lines of Township 18 North, Range 1 West,

part of the boundaries of Tract No. 39 in Township 18 North, Range 1 West, and

part of the boundaries of Tract No. 43 in Townships 17 & 18 North, Range 1 West,

AND OF THE SURVEY OF

TRACT NO. 44 in

Townships 17 & 18 North, Range 1 West,

Of the Gila and Salt River Base and Meridian,

In the State of Arizona

EXECUTED BY

Sidney E. Blout, U. S. Cadastral Engineer,

In the capacity of U. S. Surveyor, under Special Instructions dated October 29, 1920, issued by the United States Surveyor General to govern surveys included in Group No. 114, Arizona, which were approved by the Commissioner of the General Land Office, November 10, December 1, 1920, and Assignment Instructions dated June 1, 1921

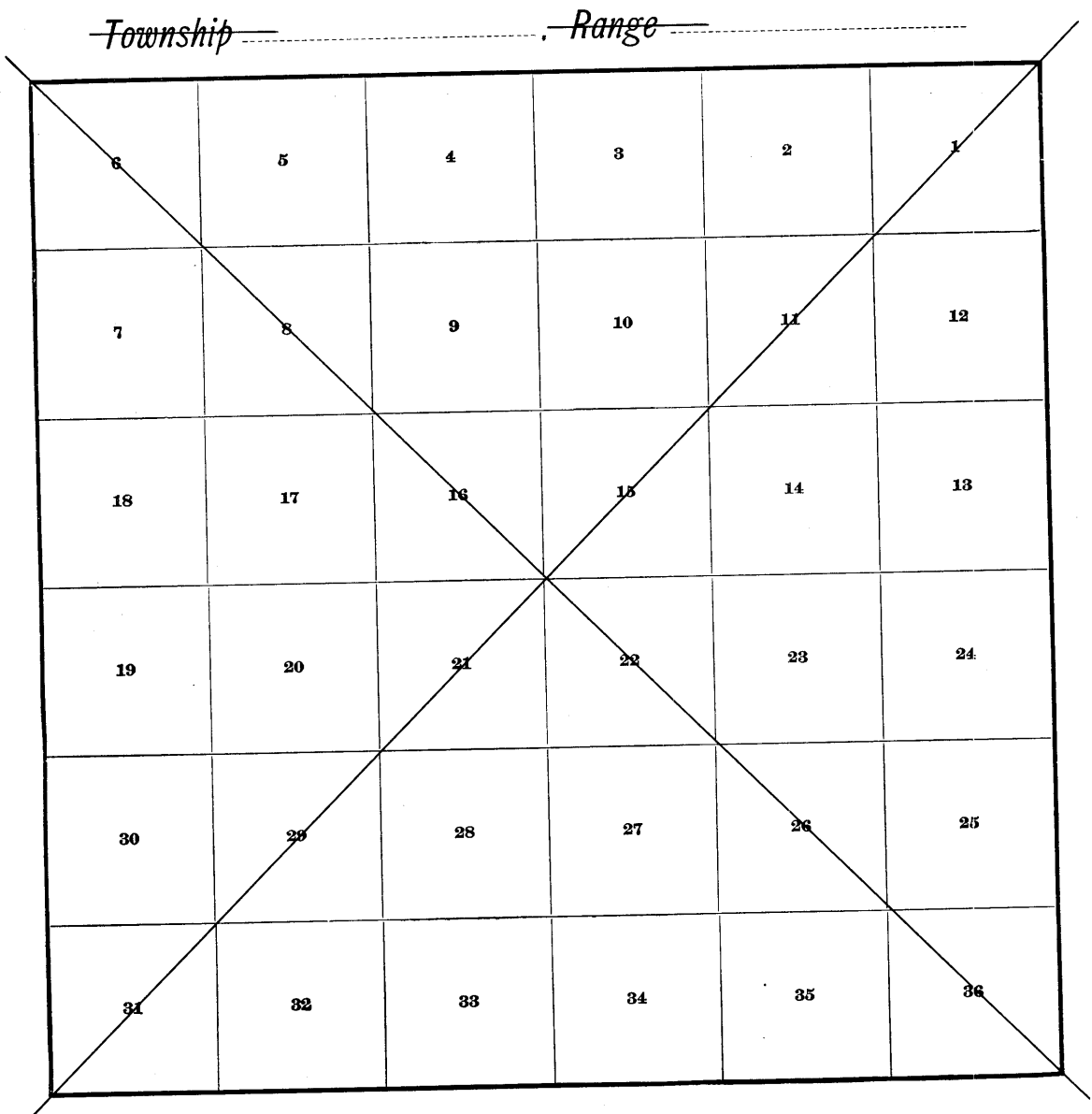
Retracement and Survey commenced June 9, 1921

Retracement and Survey completed June 13, 1921

3568

3568

INDEX DIAGRAM.



3568

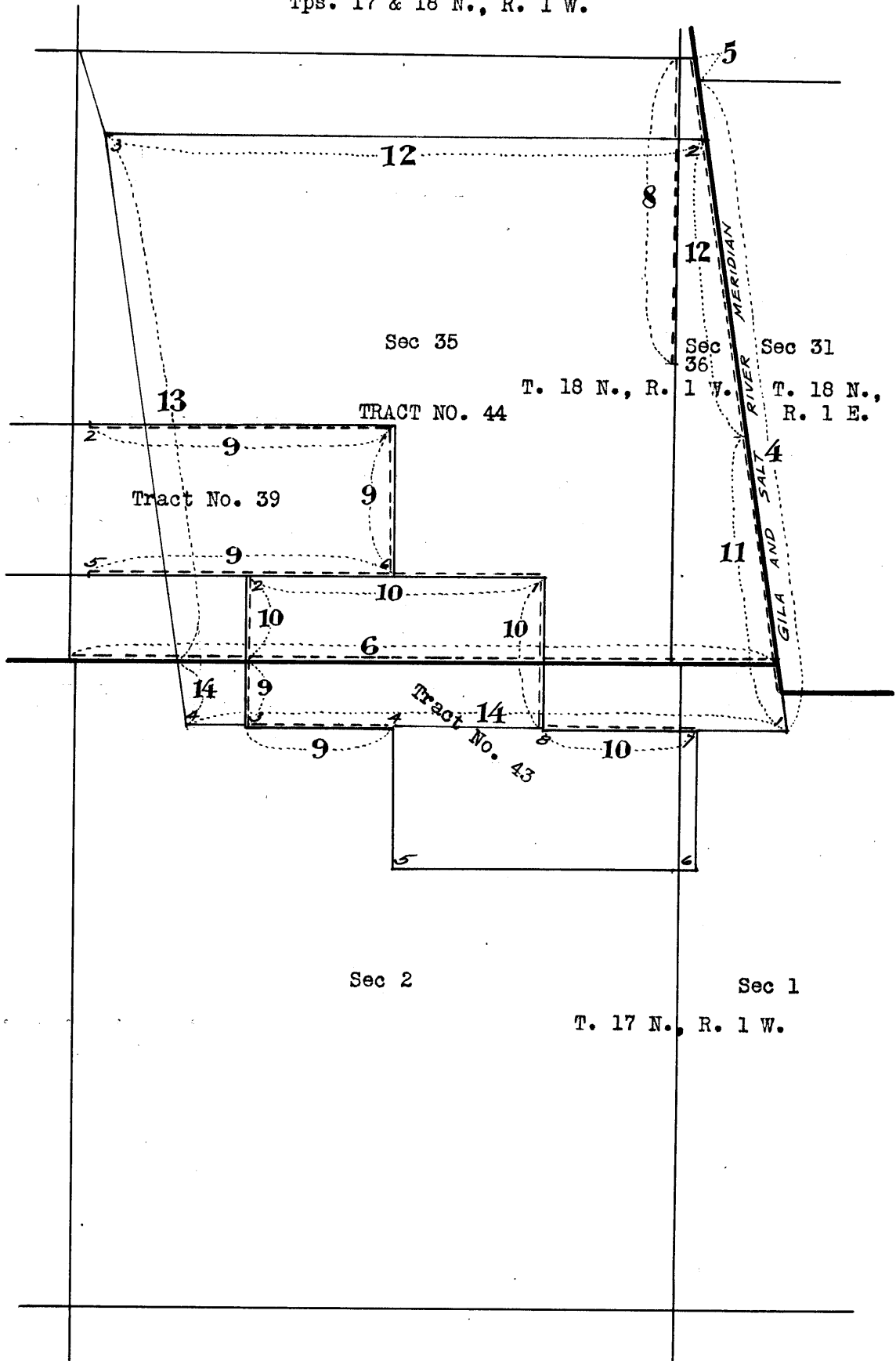
BOOK 3568

Index Diagram

Group 114, Arizona

TRACT NO. 44

Tps. 17 & 18 N., R. 1 W.



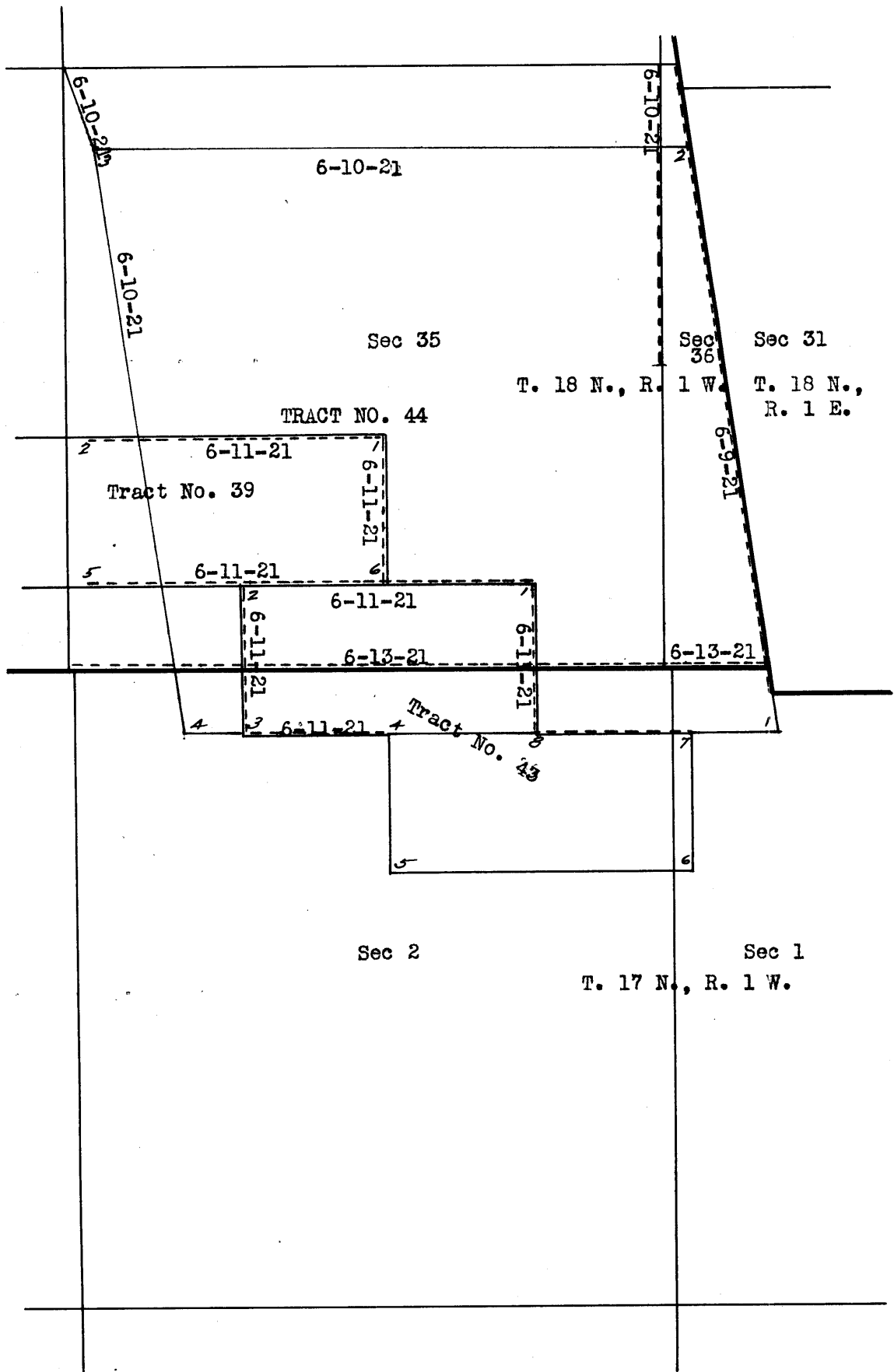
On the above diagram, dotted red lines indicate retracements, and red lines, surveys, executed under this Group, and black lines, accepted surveys,

BOOK 3568

Date Diagram

Group 114, Arizona

TRACT NO. 44
Tps. 17 & 18 N., R. 1 W.



On the above diagram, dotted red lines indicate retracements, and red lines indicate surveys, all executed by Sidney E. Blout, U. S. Cadastral Engineer, on dates shown thereon, and black lines indicate accepted surveys.

Chains.

Retracement and survey hereinafter described, executed on dates shown on diagram on page 2 hereof by Sidney E. Blout, U.S. Cadastral Engineer, using a Buff Rocky Mountain Favorite solar transit, with U-shaped standards, 4½ ft. inch horizontal circle, 4-inch vertical circle, and improved Smith solar attachment. All azimuth determinations are accomplished with the solar attachment except the special observations on Polaris and the sun, for meridian, upon which to test the solar apparatus, as stated in the field notes.

The instrument was examined, tested on the true meridian at the Federal Building at Phoenix, Arizona, March 26, 1921, found correct, and approved by the Assistant Supervisor of Surveys for Arizona, conditional upon satisfactory field tests.

All measurements are made with a Lufkin 5-chain steel tape, compared with a Chesterman standard steel tape, and found correct. The measurements are made on the slope, the vertical angle determined, and the slope measurements properly reduced to true horizontal distances.

Preliminary to beginning survey, examine the adjustments of the transit, and correct the level and collimation errors; then to test the solar apparatus, by comparing its indications, resulting from solar observations, made during a.m. and p.m. hours with a meridian, established by observations on Polaris, proceed as follows:

June 8, 1921. At camp, near the cor. of secs. 4, 5, 8 and 9, T.18 N., R.1 W. in latitude 34° 58½' N., and longitude 112° 22' 50" W. at 3h. 00m. p.m., l.m.t., set off 34° 58½' N., on the lat. arc, 22° 52' N. on the decl. arc, and determine a meridian with the solar, and mark a point thereof on a stake driven firmly in the ground about 5 chs. N. of instrument.

At same station, at 8h. 15m. p.m., l.m.t., make an hour angle observation on Polaris west of the meridian, making two observations, one each with the telescope in direct and reversed positions, and mark the mean point in the line thus determined, on a peg driven firmly in the ground about 5 chains N. of station.

Watch time of observation, mean of two readings 8h. 15m.
Azimuth of Polaris, 0° 04' W.

June 8, 1921. At same station, make an altitude observation on Polaris at lower culmination, making four observations, two each with the telescope in direct and reversed positions:

Mean watch time of observation,	8h. 26m. 17s.
Mean observed vertical angle,	33° 51' 12"
Reduced latitude,	34° 58' 25"

June 9, 1921. Lay off the azimuth of Polaris 0° 04' to the east and mark the meridian thus determined on the stake already driven in the ground about 5 chains N. on which the meridian falls 01½' E. of the mark determined by the solar.

At 9h. 00m. a.m., app. time, set off 34° 58½' N. on the lat. arc; 22° 56' N. on the decl. arc, and determine a meridian with the solar, and mark a point thereof on the stake already set about 5 chains N. This mark falls 01' E. of the meridian established by the Polaris observations.

The solar apparatus by p.m. and a.m. observations defines positions for meridians, respectively, about 01½' W., and 01' E. of the meridian established by the Polaris observations; therefore, conclude that the adjustments of the instrument are satisfactory.

Retracement of Gila and Salt River Mer., thru. part of T.18 N.

Chains.

The Meridian thru. Ts.17 and 18 N. was surveyed in 1883 by J.T.Smith, U.S.D.S. on a course of S.7°33'E., establishing cors. at intervals of 40.00 chs. common to areas E. and W of the line. In 1903, John F. Hesse, U.S.D.S. resurveyed the meridian thru. T.18 N. on original course, finding traces of original cors. at record distances thereon, and reestablishing cors. referring to areas in T.18 N., R.1 W. only at the original cor. points, and reestablishing the cor. of Ts. 17 and 18 N., R.1 W. only at point of original location of the cor. of Ts. 17 and 18 N., Rs.1 E. and 1 W. In the same year, John F. Hesse established closing cor. of Ts.17 and 18 N., R.1 E. at a point on the Meridian 7.00 chs. N.7°33'W. from the cor. of Ts.17 and 18 N., R.1 W., which he reestablished, and in his survey of the Subdivision of T.18 N., R.1 E., established closing cors. on the meridian for the west range of secs. in said township. In 1909, Alfred N. Oliver, U.S.D.S. made an independent resurvey of the Meridian thru. T.17 N., the boundaries of T.18 N., R.1 W., and the subdivision lines of Ts.17 and 18 N., R.1 W. The Oliver resurvey established a closing cor. of Ts.17 and 18 N., R.1 W. at a point on the Meridian 3.50 chs. N.7°33'W. from the Hesse closing cor. of Ts.17 and 18 N., R.1 E., changed said Hesse closing cor. to cor. of T.18 N., R.1 E. only (SW.cor.), established a set of closing cors. on the meridian for sections in T.18 N., R.1 W., and destroyed the Hesse reestablished cor. of Ts.17 and 18 N., R.1 W. The following notes describe a retracement of the Meridian from the point of original location of the cor. of Ts.17 and 18 N., Rs.1 E. and 1 W. to the closing cor. of secs. 25 and 36, T.18 N., R.1 W. established by Oliver in 1909.

- From point of original location of cor. of Ts.17 and 18 N., Rs.1 E. and 1 W.,
N.7°33'W., on random line, on original E. bdy. of sec.36.
- 7.00 Intersect the SW.cor. of T.18 N., R.1 E., hereinafter described.
- 10.49 Intersect the closing cor. of Ts.17 and 18 N., R.1 W., hereinafter described.
- 39.81 Intersect the $\frac{1}{4}$ sec. cor. of original sec.36, hereinafter described.
- True bearing and length of S. $\frac{1}{4}$ of original E. bdy. of sec.36 are therefore, N.7°33'W., 39.81 chs.
- Continue line and measurement.
- 79.78 Intersect the Hesse reestablished cor. of secs.25 and 36, T.18 N., R.1 W., reestablished at point of original location of the cor. of secs.25,30,31 and 36, Ts.18 N., Rs.1 E. and 1 W.
- This cor. hereinafter described in notes of survey of Tract No.44.
- True bearing and length of original E. bdy. of sec.36 are therefore N.7°33'W., 79.78 chs. The portion of the Meridian retraced, as described above, forms the E. bdy. of Tract No.44, the survey of which is hereinafter described.

- From the Hesse reestablished cor. of secs.25 and 36, T.18 N., R.1 W.,
N.7°33'W., on random line, on part of original E. bdy. of sec.25.
- 7.93 Intersect the closing cor. of secs.30 and 31, T.18 N., R.1 E., which is a sandstone, 6x6x5 ins. above ground, firmly set, marked "CC" on E. face, 5 grooves on N. face, and 1 groove on S. face, and witnessed by a mound of stone E. of cor. No bearing trees.
- Continue line and measurement.

Retracement of Gila and Salt River Meridian, thru. part of T.18 N. 5

Chains.

11.33 Intersect the closing cor. of secs. 25 and 30, T.18 N., R.1 W., established in the Oliver resurvey, which is a sandstone, 20x12x0 ins. above ground, firmly set, marked "09CC" on W. face, 5 notches on N. face, 1 notch on S. face, and witnessed by two bearing trees, described as follows:

A pinyon, 9 ins. in diam., N. $59\frac{1}{4}^{\circ}$ W.; 31 lks. dist., marked "09CC T18N R1W S25 BT."

A cedar, 6 ins. in diam., S. $13\frac{1}{2}^{\circ}$ W., 45 lks. dist., marked "09CCT18N R1W S36 BT."

True bearing and length of the Meridian from the Hesse reestablished cor. of 25 and 30, to the Oliver closing cor. of same secs. are therefore N. $7^{\circ} 33'$ W., 11.33 chs.

6

Retracement of part of
South bdy. of Township 18 North, Range 1 West (Oliver resurvey).

Chains.	
	<p>The South bdy. of T. 18 N., R. 1 W. was resurveyed by Alfred N. Oliver, U.S.D.S. in 1909, from original cor. of Ts. 17 and 18 N., Rs. 1 and 2 W. due east to a closing on the Meridian, as an independent resurvey, the E. end of the line being about 9 chains N. of the position of the original survey of the line by J. T. Smith, U.S.D.S. in 1883. No subsequent retracement or resurvey of the Tp. bdy. is of record.</p> <p>The following notes describe a retracement of the Tp. bdy. as resurveyed by Oliver, in that portion situated S. of resurveyed secs. 35 and 36, T. 18 N., R. 1 W.</p> <p style="text-align: center;">-----</p> <p>The reestablished cor. of secs. 34 and 35 is a sandstone 14x10x4 ins. above ground, firmly set, marked "09" on NE. face, 2 notches on E. edge, and 4 notches on W. edge, and witnessed by two bearing trees, described as follows:</p> <p style="padding-left: 40px;">A cedar, 8 ins. in diam., N. 60$\frac{1}{2}$° E., 14 lks. dist., marked "09 T18N RLW S35 BT."</p> <p style="padding-left: 40px;">A cedar, 4 ins. in diam., N. 69$\frac{1}{4}$° W., 156 lks. dist., marked "09 T18N RLW S34 BT."</p> <p>Thence,</p>
0.84	<p>East on random line, on S. bdy. of resurveyed sec. 35. Intersect closing cor. of resurveyed secs. 2 and 3, T. 17 N., R. 1 W.</p>
23.24	<p>Continue line and measurement. Intersect closing cor. of resurveyed secs. 2 and 35 on line 2-3 of Tract No. 43, established by Alfred N. Oliver in 1909, in a metes and bounds survey of said Tract. This closing cor. is a limestone 12x4 ins. above ground, firmly set, marked "09CC" on W. face, and 6 grooves on each of N. and S. faces, and witnessed by two bearing trees, described as follows:</p> <p style="padding-left: 40px;">A cedar, 4 ins. in diam., N. 69$\frac{1}{2}$° W., 76 lks. dist., marked "09 CC T18N RLW S35 BT."</p> <p style="padding-left: 40px;">A cedar, 6 ins. in diam., S. 63$\frac{1}{2}$° W., 92 lks. dist., marked "09 CC T17N RLW BT."</p> <p>From this point E. thru. said tract the township boundary was resurveyed as a blank line, and no $\frac{1}{4}$ sec. cor. of sec. 35 was set, as the true point for same was within the boundary of the Tract.</p>
63.44	<p>Continue line and measurement. Fall 1$\frac{1}{2}$ lks. S. of the closing cor. of resurveyed secs. 2 and 35 on line 8-1 of Tract No. 43, established by Alfred N. Oliver in 1909, which is a sandstone 16x5 ins., firmly set in a mound of stone, marked "09CC" on E. face, and 6 grooves on each of N. and S. faces, and witnessed by mound of stone, E. of cor. No bearing trees. True course of line to this CC. is therefore N. 89° 59' E. Leave Tract No. 43.</p>
80.04	<p>Continue line and measurement. Fall 2$\frac{1}{2}$ lks. S. of reestablished cor. of secs. 35 and 36, which is a sandstone 8x7x5 ins. above ground, firmly set, marked "09" on NE. face, 1 notch on E. edge, and 5 notches on W. edge, and witnessed by mound of stone, W. of cor., and two bearing trees described as follows:</p> <p style="padding-left: 40px;">A cedar, 8 ins. in diam., N. 54° E., 198 lks. dist., marked "09 T18N RLW S36 BT."</p> <p style="padding-left: 40px;">A pinyon, 11 ins. in diam., N. 42° W., 221 lks. dist., marked "09 T18N RLW S35 BT."</p> <p>True bearing and length of S. bdy. of resurveyed sec. 35 are therefore, N. 89° 59' E., 80.04 chs.</p> <p style="text-align: center;">-----</p>
0.59	<p>From reestablished cor. of secs. 35 and 36, East on random line on S. bdy. of resurveyed sec. 36. Intersect the closing cor. of resurveyed secs. 1 & 2, T. 17 N. R. 1 W.</p>
13.46	<p>Continue line and measurement. Intersect the closing cor. of Ts. 17 and 18 N., R. 1 W., on the G. and S. R. Meridian, established by A. N. Oliver,</p>

BOOK 1888

Retracement of part of South boundary of Township 18 North, Range 1 W. (Oliver resurvey) 7

Chains.

in 1909, which is a limestone 10x8x5 ins. above ground, firmly set, marked "09CC" on W. face, and 6 grooves on each of N., S. and W. faces, and witnessed by mound of stone, W. of cor., and one bearing tree described as follows:

A cedar, 6 ins. in diam., S. 40 1/2° W., 124 lks. dist., marked "09CC T17N R1W S1 BT."

True bearing and length of S. bdy. of resurveyed sec. 36 are therefore East, 13.40 chs.



Retracement of part of the Subdivision
lines of Township 18 North, Range 1 West (Oliver resurvey)

Chains.

To determine point of intersection of the boundary of Tract No. 44 with the subdivision lines of T. 18 N., R. 1 W., as resurveyed by Alfred N. Oliver, U.S.D.S. in 1909, retrace the N. $\frac{1}{4}$ of line between resurveyed secs. 35 and 36, as described as follows:

No other subdivision line of this township intersects said Tract Bdy.

The reestablished $\frac{1}{4}$ sec. cor. of secs. 35 and 36, is a cross (x) on limestone ledge, witnessed by two bearing trees, described as follows:

A pinyon, 8 ins. in diam., S. 50° W., 77 lks. dist.,
marked "09 $\frac{1}{4}$ S 35 BT."

A cedar, 6 ins. in diam., S. 70° E., 123 lks. dist.,
marked "09 $\frac{1}{4}$ S 36 BT."

Thence,

N. 0° 14' E., on random line, bet. resurveyed secs. 35 and 36 (N. $\frac{1}{4}$).

40.00

Intersect the reestablished cor. of secs. 25, 26, 35 and 36, which is a limestone, 8x4 ins. above ground, firmly set, marked "09" on NE. face and 1 notch on each of E. and S. edges, and witnessed by 4 bearing trees, described as follows:

A pinyon, 12 ins. in diam., N. 50° E., 137 lks. dist.,
marked "09 T18N RLW S25 BT."

A cedar, 10 ins. in diam., S. 23° E., 377 lks. dist.,
marked "09 T18N RLW S36 BT."

A cedar, 8 ins. in diam., S. 61° W., 181 lks. dist.,
marked "09 T18N RLW S35 BT."

A cedar, 6 ins. in diam., N. 65° W., 240 lks. dist.,
marked "09 T18N RLW S26 BT."

True bearing and length of N. $\frac{1}{4}$ of line, bet. resurveyed secs. 35 and 36 are therefore N. 0° 14' E., 40.00 chs., which agrees with the Oliver record of resurvey.

Retracement of part of the Boundaries of Tracts Nos.39 and 43.

Chains.

The original position of sec.36, T.18 N.,R.1 W., surveyed as hereinafter described as Tract No.44 is in conflict with Tracts Nos.39 and 43, surveyed by A.N.Oliver, U.S. D.S. in 1909; therefore, to determine the points of intersection of the boundary of Tract No.44 with the boundaries of said Tracts Nos.39 and 43, retrace part of the Tract boundaries, as described in the following notes:

TRACT NO. 39.

Cor.No.5 of Tract No.39 is a limestone 18x6x5 ins. above ground, firmly set, marked "5-39" on N.face. This cor. is located at about the mid point of the south line of this Tract boundary.

20.19 Thence, N.89°34'E., on line 5-6 of Tract. Intersect cor.No.2 (NW.cor.) of Tract No.43 hereinafter described.

40.30 Continue line and measurement, bet. Tracts Nos.39 and 43. Fall 1 lk.N. of cor.No.6 (SE.cor.) of tract, which is a limestone, 12x10x8 ins. firmly set in a mound of stone marked "6-39" on NW.face, and witnessed by a mound of stone; 2 ft.base, 1 1/2 ft.high, NW.of cor. This cor. is located at about the midpoint of N.line(1-2) of Tract No.43. True bearing and length of line 5-6 of Tract No.39 are therefore N.89°33'E., 40.30 chs.

19.95 Thence, N.1° 09' W., on random line, on E. line ((0-1) of tract boundary. Fall 1 lk.E. of cor.No.1 (NE.cor.) of tract, which is a limestone, 12x11x7 ins. firmly set in a mound of stone, marked "1-39" on SW.face, and witnessed by a mound of stone 2 ft.base, 1 1/2 ft.high, SW.of cor. True bearing and length of line 0-1 of Tract No.39 are therefore N. 1°11'W., 19.95 chs.

40.31 Thence, S.89°54'W., on random line on E. of N.line (1-2) of tract. Fall 10 lbs.W. of Cor.No.2 of tract, which is a limestone, 18x12x5 ins. above ground, firmly set, marked "2-39" on S.face. True bearing and length of line 1-2 of Tract No.39 are therefore S.89° 25'W., 40.31 chs.

TRACT NO. 43.

Cor.No.3 of of Tract No.43 is a malpais stone, 8x6x4 ins. above ground, firmly set, erroneously marked "3-40" on NE. face, and witnessed by a mound of stone, 2 ft. base, 1 ft.high, NE.of cor.

This cor.is on the original Tp.boundary, bet. Rs.17 and 18 N., R.1 W., as surveyed by J.T. Smith, U.S.D.S. in 1883.

19.95 Thence N.89° 34'E., on a random line, on line 3-4 of Tract, identical with the original township boundary.

Fall 13 lks.N. of cor.No.4 of tract which is a limestone, 10x8x5 ins. above ground, firmly set, erroneously marked "4-40" on NE.face, and witnessed by a mound of stone, 2 ft.base, 1 1/2 ft.high, NE.of cor.

True bearing and length of line 3-4 of Tract No.43 are therefore N.89° 50'E., 19.95 chs. This portion of the Tract boundary is also part of the S.line of Tract No.44.

From cor.No.3, N.1°09' W., on a random line, on line 3-2 of Tract.

10 Retracement of part of the boundaries of Tracts Nos. 39 and 43.

Chains.	
9.02	Intersect closing cor. of resurveyed secs. 2 and 35, hereinbefore described. Continue line and measurement.
19.95	Intersect cor. No. 2 (NW. cor.) of tract, which is a limestone 8x6x4 ins. above ground, firmly set, erroneously marked "2-40" on SE. face, and witnessed by a mound of stone, 2 ft. base, 1½ ft. high, SE. of cor. This cor. is on S. line (5-6) of Tract No. 39. Thence, N. 89° 33' E., on true line, bet. Tracts Nos. 39 and 43, as per result of retracement of line 5-6 of Tract No. 39, hereinbefore described.
20.11	Intersect cor. No. 6 (SE. cor.) of Tract No. 39, hereinbefore described. Thence, East, on random line on E. ½ of N. line (2-1) of tract.
19.98	Intersect cor. No. 1 (NE. cor.) of tract, which is a limestone, 14x12x8 ins. firmly set in a mound of stone, erroneously marked "1-40" on SW. face. True bearing and length of E. ½ of N. line (2-1) of Tract No. 43 are therefore East, 19.98 chs.

	Cor. No. 8 of Tract No. 43 is a cross (x) on granite surface rock, with the erroneous marking "8-40" SW. of cross (x), and witnessed by a mound of stone 2 ft. base, 1½ ft. high, SW. of cor. This tract cor. is on the original Tp. bdy. bet. Ts. 17 and 18 N., R. 1 W., as surveyed by J. T. Smith, U. S. D. S. in 1883, and therefore becomes a point on the S. line of bdy. of Tract No. 44, the survey of which is hereinafter described. Thence, N. 1° 09' W., on random line on line 8-1 of Tract,
8.89	Intersect the closing cor. of resurveyed secs. 2 and 35, hereinbefore described. Continue line and measurement.
20.00	Fall ½ link E. of cor. No. 1 (NE. cor.) of tract, hereinbefore described. True bearing and length of line 8-1 of Tract No. 43 are therefore N: 1° 10' W., 20.00 chs.

	From cor. No. 8 of tract, East, on random line, on line 8-7 of tract, identical with original Tp. boundary.
17.26	A point 4 lks. S. of the closing cor. of reestablished secs. 1 and 2, T. 17 N., R. 1 W., which is a sandstone, 6x6x4 ins. above ground, firmly set, marked "09CC" on N. face, "PC" on S. face, 1 groove on E. face, and 5 grooves on W. face, and witnessed by a mound of stone, N. of cor. True bearing of line 8-7 of tract bdy. from Cor. No. 8 to this CC. is therefore N. 89° 52' E. Continue line and measurement.
19.94	Fall 5 lks. S. of Cor. No. 7 of tract, which is a cross (x) on ledge of surface rock, and erroneously marked "7-40" S. of cross (x), and witnessed by a mound of stone, 2 ft. base, 1½ ft. high, SW. of cor. True bearing and length of line 8-7 of tract No. 43 are therefore N. 89° 52' E., 19.94 chs. This tract cor. is on the original Tp. bdy. bet. Ts. 17 and 18 N., R. 1 W.; as surveyed by J. T. Smith, U. S. D. S. in 1883, and therefore, becomes a point on the S. line of bdy. of Tract No. 44, the survey of which is hereinafter described.

Survey of boundary of Tract No.44, Ts.17 & 18 N.
R.1 W. (Restoration of original sec.36, T. 18 N., R. 1 W.) 11

Chains.

The East bdy. of sec.36, T.18 N., R. 1 W., as originally surveyed by J.T.Smith, U.S.D.S. in 1883, is the G. and S.R. Meridian; which, according to record, is at the present time in its original position; therefore, the E line of boundary of Tract No.44 is identical with the meridian, retraced as hereinbefore described. The south bdy. of original sec.36, T.18 N., R.1 W. is at the present time preserved in part by line 3-4 and line 7-8 of boundary of Tract No.43, retraced as hereinbefore described.

Preliminary to the survey of Tract No.44, commence at the original point of location of the NE. cor. of sec. 36, as marked by the Hesse reestablished cor. of secs. 25 and 36, T.18 N., R.1 W. on the G. and S. R. Meridian, and retrace on record courses and distances, the N. and W. boundaries of original sec. 36, searching diligently at record intervals for the original 1/4 sec. and sec. cors. and setting temp. cors. at such intervals. Find no trace of any of the original cors. on said N. and W. boundaries of original sec.36; therefore, in the survey of Tract No.44, the record course and distance is preserved on the N. bdy. of Tract, and the record course is preserved on the W. bdy.

At point of original location of cor. of Ts. 17 and 18 N., Rs.1 E. and 1 W., establish cor.No.1 (SE.cor.) of Tract No.44, as follows:

Set an iron post, 3 ft. long, 1 in. in diam., 26 ins. in the ground, marked on brass cap,

TR 44
1
T17N R1W
S 1
1921

Thence, N.7°33' W., on true line, on E. line (1-2) of boundary of Tract No.44, in resurveyed sec.1, T.17 N., R.1 W. Over broken mountainous land, thru scattering timber and dense undergrowth.

- 1.98 Descend 18 ft., over NW. slope, to Rocky ravine, 8 lks. wide, course W.
 - 7.00 Intersect the SW. cor. of T.18 N., R.1 E., which is a sandstone, 20x8x4 ins., firmly set in a mound of stone, marked with 6 grooves on each of N. and E. faces, and witnessed by one bearing tree, described as follows:
A cedar, 6 ins. in diam., N.20°E., 130 lks. dist., marked "T18N R1E S31 BT."
 - 7.80 Continue line and measurement, on G. and S.R. Meridian, W. of sec.31, T.17 N., R.1 E. Ravine, 6 lks. wide, course W. Ascend 10 ft., over S. slope.
 - 8.25 Point of hill, sloping SW. Desc. 15 ft., over NW. slope.
 - 10.38 Ravine, 15 lks. wide, course S.20°W. from N.; thence along bottom of same ravine, ascending gradually.
 - 10.49 Intersect closing cor. of resurveyed Ts.17 and 18 N., R.1 W., hereinbefore described. Continue line and measurement. Ascend along bottom of ravine, course S.
 - 24.35 Head of same ravine. Ascend 100 ft., over SE. slope.
 - 30.50 Ridge, brs. NE. and SW. Descend 132 ft., over NW. slope.
 - 39.81 Intersect the point of original location of 1/4 sec. cor. of secs. 31 and 36, now marked by the Hesse reestablished 1/4 sec. cor. of sec.36 only, which is a limestone 8x3x3 ins. firmly set in a mound of stone, marked "1/4" on W. face, and witnessed by one bearing tree, described as follows:
A pinyon, 6 ins. in diam., S.81°W., 60 lks. dist., marked "1/4 S 36 BT."
- Obliterate markings on stone and tree.

Survey of bdy. of Tract No. 44, T. 17 and 18 N.,
 12 R. 1 W. (restoration of original sec. 36, T. 18 N., R. 1 W.)

Chains.

- 56.30 Continue line and measurement,
 Bottom of canyon; course S. 70°W. Asc. 80 ft., over S. slope, to
- 79.78 Intersect point of original location of cor. of secs. 25, 30, 31 and 36, now marked by the Hesse reestablished cor. of secs. 25 and 36, T. 18 N., R. 1 W., which is a limestone, 18x6x4 ins., firmly set in a mound of stone, marked with 1 notch on S. edge and 5 notches on N. edge, and witnessed by two bearing trees described as follows:
- A cedar, 6 ins. in diam., N. 73°W., 98 lks. dist., marked "T18N R1W S25 BT."
 A cedar, 6 ins. in diam., S. 33°W., 255 lks. dist., marked "T18N R1W S36 BT."
- Obliterate marking on NW. bearing tree, and alongside of the old cor. stone, set an iron post, 3 ft. long, 1 in. in diam., over cross (x) on surface rock, in mound of stone, 4 ft. base, 2½ ft. high, for cor. No. 2 (NE. cor.) of Tract No. 44, marked on brass cap,
- T18N R1W
 S36
 2
 TR 44
 1921
- Land, broken and mountainous.
 Soil, rocky, 4th rate.
 Timber, cedar and pinyon.
 Undergrowth, scrub cedar.
-
- N. 89°57'W., on true line, on N. line (2-3) of boundary of Tract No. 44.
 Over mountainous land, thru. scattering timber and dense undergrowth.
 Ascend along S. slope.
- 3.82 Intersect line bet. resurveyed secs 35 and 36, T. 18 N., R. 1 W., at a point 11.25 chs. S. 0°14'W. from reestablished cor. of secs. 25, 26, 35 and 36.
 At point of intersection,
 Set an iron post, 3 ft. long, 1 in. in diam., 12 ins. in the ground, supported in a mound of stone 3 ft. base, 1½ ft. high for closing cor. of resurveyed secs. 35 and 36, marked on brass cap,
- C C
 T18N R 1W
 S35 S36
 TR 44
 1921
- A pinyon, 10. ins. in diam., brs. N. 47°E., 15 lks. dist., mark "CC T18N R1W S36 BT."
 A cedar, 10 ins. in diam., brs. N. 44¾°W., 12 lks. dist., mark "CC T18N R1W S35 BT."
- 8.00 Continue line and measurement in resurveyed sec. 35.
 Top of limestone ledge, 6 ft. high. Descend 75 ft., over SW. slope.
- 17.00 Gulch, 6 lks. wide, course SW.
- 33.85 Ravine, 5 lks. wide, 3 ft. deep; course S. 20° E.
- 37.50 Ravine, 6 lks. wide, 2½ ft. deep, course S. 10° E. Ascend 88 ft., over S. slope, to
- 80.06 (Record dist.) Set an iron post, 3 ft. long, 1 in. in diam., 20 ins. in the ground, for cor. No. 3 (NW. cor.) of Tract No. 44, marked on brass cap,
- T18N R1 W
 S35
 3
 TR 44
 1921

chains.

From this Tract cor., the reestablished cor. of secs. 20,
27, 34 and 35, brs. N. 19° W., 11.94 chs. dist.
Land, mountainous.
Soil, rocky, 4th rate.
Timber, cedar and pinyon.
Undergrowth, scrub cedar and oak.

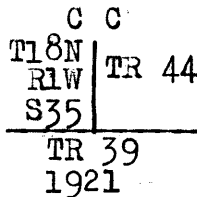
S. 7° 33' E., on true line, on W. line (3-4) of boundary of
Tract No. 44.

Over mountainous land, thru. scattering timber and under-
growth. Descend 91 ft. over SW. slope.

15.40
38.30

Bend in canyon from NW. to SW. Ascend over NW. slope.
Intersect E. 1/2 of N. line (1-2) of the boundary of Tract
No. 39, at a point 6.84 chs. N. 89° 25' E., from cor. No. 2
of said Tract, hereinbefore described.

At point of intersection,
Set an iron post, 3 ft. long, 1 in. in diam., 20 ins. in the
ground, for closing cor. of resurveyed sec. 35, and
Tract No. 44, marked on brass cap,

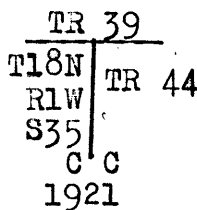


Raise a mound of stone, 2 ft. base, 1 1/2 ft. high, N. of cor.
Continue measurement, S. 7° 33' E., on blank line, across
Tract No. 39.

58.22

Intersect E. 1/2 of S. line (5-6) of the boundary of Tract
No. 39 at a point 9.06 chs. N. 89° 33' E. from cor. No. 5
of said Tract, hereinbefore described.

At point of intersection,
Set an iron post, 3 ft. long, 2 ins. in diam., 24 ins. in
the ground, for closing cor. of resurveyed sec. 35,
and Tract No. 44, marked on brass cap,



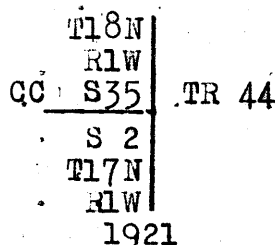
Raise a mound of stone, 2 ft. base, 1 1/2 ft. high, S. of cor.
Continue measurement, S. 7° 33' E. on W. line (3-4) of bound-
ary of Tract No. 44.

62.60
69.11

Over mountainous land, thru. scattering timber and dense
undergrowth. Asc. 50 ft., over N. slope.
Ridge, brs. E and W. Desc. 35 ft. over S. slope.

Intersect the resurveyed S. bdy. of T. 18 N., R. 1 W., at
a point 13.40 chs. N. 89° 59' E., from reestablished
cor. of secs. 34 and 35, hereinbefore described.

At point of intersection,
Set an iron post, 3 ft. long, 2 ins. in diam., 24 ins. in
the ground, for closing cor. of resurveyed secs. 2 and
35, Ts. 17 and 18 N., R. 1 W., marked on brass cap,



Raise a mound of stone, 2 ft. base, 1 1/2 ft. high, W. of cor.

Survey of Tract No. 44, T. 17 and 18 N., R. 1 W.
 14 (Restoration of original sec. 30, T. 18 N., R. 1 W.)

Chains.

- This closing cor. is in gulch, course E.
 Continue line and measurement in resurveyed sec. 2, T. 17 N., R. 1 W.
 Ascend over NE. slope.
- 78.32 A point S 89° 50' W., from cor. No. 3 of Tract No. 43, hereinbefore described.
 This point is an intersection of line 3-4 of Tract No. 43 extended, and in the absence of any trace of the original sec. cor., locates as near as possible, the point of original location of the cor. of secs. 1, 2, 35 and 36, as established by J. T. Smith, U. S. D. S. in 1883; therefore, at this point,
 Set an iron post 3 ft. long, 1 in. in diam., 26 ins. in diam., for cor. No. 4 (SW. cor.) of Tract No. 44, marked on brass cap,
- TR 44
 4
 T17N S 2
 RLW 1921
- Land, mountainous.
 Soil, rocky, 4th rate.
 Timber, cedar and pinyon.
 Undergrowth, scrub cedar.
-
- N. 89° 50' E., on true line, on S. line (4-1) of Tract No. 44, identical with original position of the Tp. line, bet. T. 17 and 18 N., R. 1 W.
 Over mountainous land, thru. scattering timber and dense undergrowth.
- Descend 15 ft., over NE. slope.
- 5.05 Fence brs. N and S.
- 8.24 Ravine, 5 lks. wide, course N. Ascend 25 ft., over W. slope.
- 8.85 Intersect cor. No. 3 of Tract No. 43, hereinbefore described.
 Continue line and measurement, on line 3-4 of Tract No. 43.
- 16.15 Top of hill; descend 15 ft. over E. slope.
- 19.15 Foot of hill, brs. N. and S. thence over rolling N. slope.
 Ascend 35 ft.
- 28.80 Intersect cor. No. 4 of Tract No. 43, hereinbefore described.
 From this cor., a flag on cor. No. 8 of same tract, brs. N. 89° 50' E.; therefore, continue measurement N. 89° 50' E., on blank line, thru. Tract No. 43.
- 48.92 Intersect cor. No. 8 of Tract No. 43, hereinbefore described, at w. edge of Verde River.
 Thence,
 N. 89° 52' E., on true line, on line 8-7 of Tract No. 43, identical with S. line (4-1) of Tract No. 44.
- 49.50 Center of Verde River, with stream of clear running water, 50 lks. wide, 14 ins. deep, course SE.
- 50.50 Left bank of Verde river, brs. NW. and SE. Ascend 100 ft. over cliffs, facing SW.
- 55.50 Top of cliffs, brs. NW and SE. Ascend 40 ft., over broken W. slope.
- 66.18 Intersect closing cor. of reestablished secs. 1 and 2, T. 17 N., R. 1 W., hereinbefore described.
 Continue line and measurement.
- 68.86 Intersect cor. No. 7 of Tract No. 43, hereinbefore described.
 Prolongation of the line N. 89° 52' E. from this cor. falls 105 lks. N. of cor. No. 1 of Tract No. 44; therefore, the true bearing of that portion of S. line (4-1) of Tract No. 44, bet. cor. No. 1 thereof, and cor. No. 7 of Tract No. 43 is S. 82° 30' E.
 From Cor. No. 7 of Tract No. 43,
 S. 82° 30' E., on true line, continuing measurement from cor. No. 4 of Tract No. 44.
 Over mountainous land, thru. scattering timber and dense undergrowth.
- 70.25 West rim of canyon, brs. N. and S. Descend 150 ft.

Survey of Tract No.44, Ts.17 and 18 N., R.1 W.
 (Restoration of original sec. 36, T. 18 N., R.1 W.)

Chains.
 76.50 Wash, 10 lks. wide, course S. in bottom of canyon. Ascend
 140 ft. over E. wall of canyon.
 78.50 East rim of canyon, brs. N. and S.
 80.55 (11.69 chs. S. 82°30'E. from cor. No. 7 of Tract No. 43) Inter-
 sect cor. No. 1 (SE. cor.) of Tract No. 44, the place of
 beginning.
 Land, mountainous.
 Soil, rocky, 4th rate.
 Timber, cedar and pinyon.
 Undergrowth, scrub cedar.

Boundaries of Tract No. 44.
 (Original sec. 36 of Township 18 North, Range 1 W.)
 in Resurveyed Ts. 17 and 18 N., R.1 W.

Line designated.	True course.	Dist.	Latitudes.		Departures.	
			N.	S.	E.	W.
East line(1-2)	N. 7°33' W.	79.78	79.09			10.48
North line(2-3)	N. 89°57' W.	80.06	.07			80.06
West line(3-4)	S. 7°33' E.	78.32		77.64	10.29	
South line(4-1)	N. 89°50' E.	48.92	.06		48.92	
	N. 89°52' E.	19.94	.05		19.94	
	S. 82°30' E.	11.69		1.53	11.59	
Totals.			79.27	79.17	90.74	90.54
			79.17		90.54	
	Error in latitude,		0.10			
	Error in departure.				0.20	

Total area of Tract No. 44, 622.81 Acres.
 Less area in conflict with
 Tracts Nos. 39 and 43, - 144.47 "
 Net area of Tract No. 44 478.34 Acres.

Net area of Tract No. 44 in T. 17 N., R. 1 W. - 37.51 Acres.
 " " " " No. 44 in T. 18 N., R. 1 W. - 440.83 Acres.

CERTIFICATE OF UNITED STATES CADASTRAL ENGINEER.

18

BOOK 3568

I, Sidney E. Blout, U. S. Cadastral Engineer, hereby certify upon honor that, in pursuance of special instructions received from the U. S. Surveyor General, for Group 114, Arizona, bearing date of the 1st day of June, 1921, I have well, faithfully, and truly in my own proper person, and in strict conformity with said instructions, the Manual of Surveying Instructions, and the laws of the United States, ~~surveyed~~ ^{retraced} all those parts or portions of the East and South boundaries, and the Subdivision lines of Township 18 North, Range 1 West, of the boundaries of Tract No. 39 in Township 18 North, Range 1 West, and of the boundaries of Tract No. 43 in Townships 17 & 18 North, Range 1 West, and surveyed all those parts or portions of Tract No. 44 in Townships 17 & 18 North, Range 1 West, of the Gila and Salt River Base and Meridian, in the State of Arizona, which are represented in the foregoing field notes ^{and by diagram on page 2 hereof} as having been executed by me, and under my direction; and that all the corners of said ^{retracement and} survey have been established and perpetuated in strict accordance with the Manual of Surveying Instructions, and the special written instructions of the U. S. Surveyor General, for Group 114, Arizona and in the specific manner described in the field notes, and that the foregoing are the original field notes of such ~~survey~~ ^{retracement and} survey.

Phoenix, Arizona,
Date October 21, 1921

Sidney E. Blout
U. S. Cadastral Engineer

APPROVAL.

OFFICE OF THE UNITED STATES SURVEYOR GENERAL,

Phoenix, Arizona, Aug. 25, 1923

The foregoing field notes of the ~~survey~~ ^{retracement} of part of the East and South boundaries and Subdivision lines of Township 18 North, Range 1 West, part of the boundaries of Tract No. 39, in Township 18 North, Range 1 West, and part of the boundaries of Tract No. 43, in Townships 17 & 18 North, Range 1 West; and of the survey of Tract No. 44 in Townships 17 & 18 North, Range 1 West, of the Gila and Salt River Base and Meridian, in the State of Arizona,

executed by Sidney E. Blout, U. S. Cadastral Engineer,

under his special instructions dated June 1, 1921 for Group 114 Arizona, having been critically examined, and the necessary corrections and explanations made, the said field notes, and the ^{retracements &} surveys they describe, are hereby approved.

Frank P. Frost
U. S. Surveyor General.

~~I certify that the foregoing transcript of the field notes of the above-described surveys in~~
~~has been correctly copied from the original notes on file in this office.~~